

TCMP CJMP



TCMP



CJMP

400°C/2h centrifugal fans and extraction units with multi-blade impeller

TCMP: 400°C/2h centrifugal single-inlet fans to work outside fire danger zones.

CJMP: Extraction single-inlet units with soundproofed plate to work outside fire danger zones at 400°C/2h.

Fan:

- Steel sheet casing
- Impeller with forward-facing blades made from galvanised sheet steel
- Approval according to Standard EN-12101-3-2002, certificate no.: 0370-CPD-0313 (TCMP), No.: 0370-CPD-0402 (CJMP)

Motor:

- Class F motors with ball bearings, IP55 protection
- Three-phase 230/400V.-50Hz. (up to 5.5CV.) and 400/690V.-50Hz. (power over 5.5CV.)
- Max. temperature of air for transport: S1 Service -20°C+ 300°C for ongoing use, S2 Service 200°C/2h, 300°C/2h and 400°C/2h

Finish:

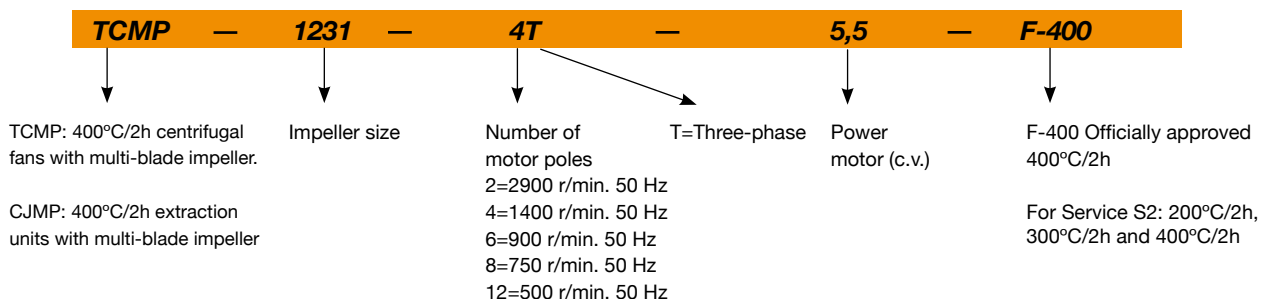
- Anticorrosive finish in polyester resin, polymerised at 190°C, after alkaline degreasing and phosphate-free pre-treatment.
- CJMP: Anticorrosive galvanized sheet steel.

On request:

- Fans with two-speed motor.
- Belt-driven fans



Order code



Technical characteristics

Model	Speed (r/min)	Maximum admissible current (A)			Power installed (kW)	Airflow maximum (m³/h)	Sound pressure level dB(A)		Approx. weight (Kg)	
		230V	400V	690V			TCMP	CJMP	TCMP	CJMP
TCMP CJMP 820-4T	1350	1,33	0,77		0,25	1670	65	59	11	25
TCMP CJMP 922-4T	1395	2,49	1,44		0,55	2450	66	60	20	55
TCMP CJMP 1025-4T-1,5	1410	4,42	2,55		1,10	3400	70	64	28	69
TCMP CJMP 1025-4T-2	1420	5,89	3,40		1,50	3650	72	66	31	72
TCMP CJMP 1128-4T-3	1420	8,14	4,70		2,20	5000	74	68	38	87
TCMP CJMP 1128-4T-4	1420	11,09	6,40		3,00	5450	75	69	41	90
TCMP CJMP 1128-6T	915	3,55	2,05		0,75	3300	60	55	30	79
TCMP CJMP 1231-4T-3	1420	8,14	4,70		2,20	4750	73	67	45	103
TCMP CJMP 1231-4T-4	1420	11,09	6,40		3,00	5900	75	69	48	106
TCMP CJMP 1231-4T-5,5	1440	14,20	8,20		4,00	6850	77	71	55	113
TCMP CJMP 1231-6T	925	6,75	3,90		1,50	5100	64	59	45	103
TCMP CJMP 1435-4T-4	1420	11,09	6,40		3,00	5550	76	70	55	126
TCMP CJMP 1435-4T-5,5	1440	14,20	8,20		4,00	6250	78	72	62	133
TCMP CJMP 1435-4T-7,5	1455		11,40	6,60	5,50	7200	80	74	72	143
TCMP CJMP 1435-4T-10	1455		15,20	8,80	7,50	9700	82	76	80	151
TCMP CJMP 1435-6T	940	9,01	5,20		2,20	6400	68	63	57	128
TCMP CJMP 1640-4T-5,5	1440	14,20	8,20		4,00	7500	77	71	81	151
TCMP CJMP 1640-4T-7,5	1455		11,40	6,60	5,50	8050	80	74	91	161
TCMP CJMP 1640-4T-10	1455		15,20	8,80	7,50	9700	82	76	99	169
TCMP CJMP 1640-6T	940	9,01	5,20		2,20	8100	71	66	76	146
TCMP CJMP 1845-4T-7,5	1455		11,40	6,60	5,50	8950	82	76	100	181
TCMP CJMP 1845-4T-10	1455		15,20	8,80	7,50	10350	85	79	108	189
TCMP CJMP 1845-6T	940	9,01	5,20		2,20	8350	77	72	85	166
TCMP CJMP 2050-4T-10	1455		15,20	8,80	7,50	9000	83	77	130	233
TCMP CJMP 2050-4T-15	1460		21,50	12,40	11,00	12500	87	81	154	257
TCMP CJMP 2050-4T-20	1460		28,50	16,50	15,00	19000	89	83	166	269
TCMP CJMP 2050-6T	950	16,28	9,40		4,00	11000	79	74	125	228

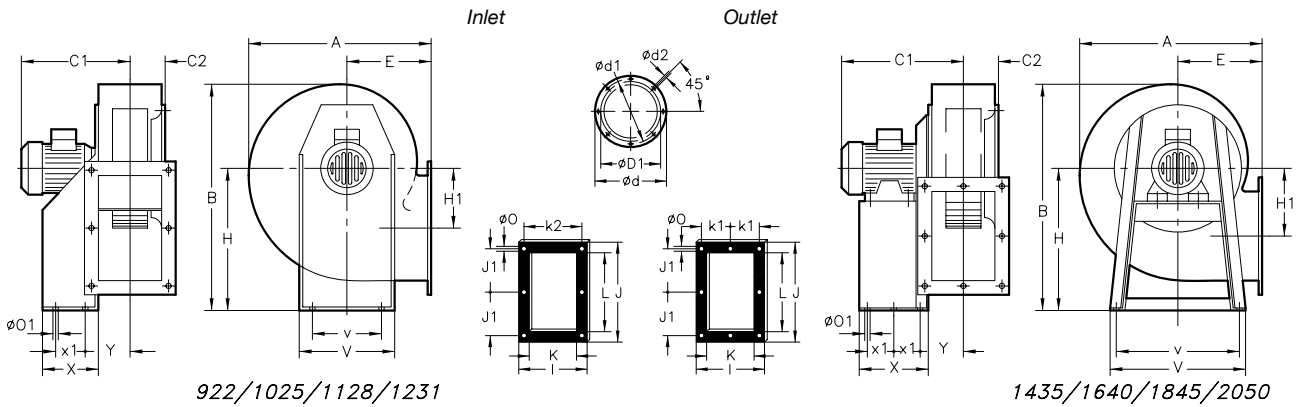
Acoustic features:

The specified values are determined according to free field measurements of pressure and sound levels in dB(A) at an equivalent distance of twice the fan's span plus the turbine's diameter, with a minimum of 1.5 m.

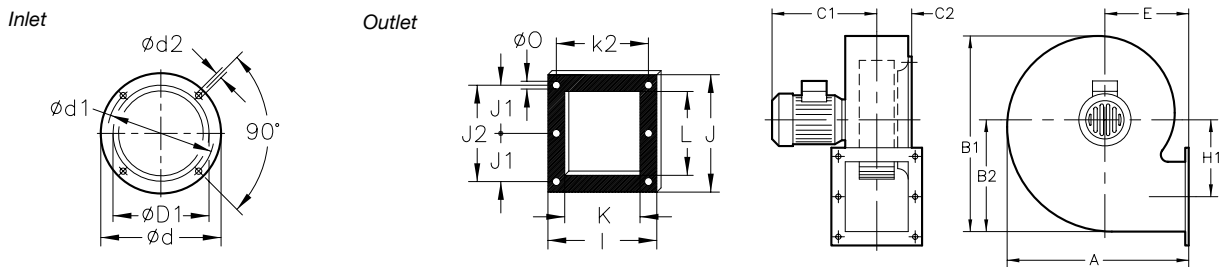
Sound power Lw(A) spectrum in dB(A) via frequency band in Hz.

TCMP Model	63	125	250	500	1000	2000	4000	8000	CJMP Model	63	125	250	500	1000	2000	4000	8000
820	40	50	61	68	72	69	67	60	820	34	44	55	62	66	63	61	54
922	41	51	62	69	73	70	68	61	922	35	45	56	63	67	64	62	55
1025-4-1,5	45	55	66	73	77	74	72	65	1025-4-1,5	39	49	60	67	71	68	66	59
1025-4-2	47	57	68	75	79	76	74	67	1025-4-2	41	51	62	69	73	70	68	61
1128-4-3	49	59	70	77	81	78	76	69	1128-4-3	43	53	64	71	75	72	70	63
1128-4-4	50	60	71	78	82	79	77	70	1128-4-4	44	54	65	72	76	73	71	64
1128-6	35	45	56	63	67	64	62	55	1128-6	30	40	51	58	62	59	57	50
1231-4-3	51	60	71	78	82	80	78	71	1231-4-3	45	54	65	72	76	74	72	65
1231-4-4	53	62	73	80	84	82	80	73	1231-4-4	47	56	67	74	78	76	74	67
1231-4-5,5	55	64	75	82	86	84	82	75	1231-4-5,5	49	58	69	76	80	78	76	69
1231-6	42	51	62	69	73	71	69	62	1231-6	37	46	57	64	68	66	64	57
1435-4-4	54	63	74	81	85	83	81	74	1435-4-4	48	57	68	75	79	77	75	68
1435-4-5,5	56	65	76	83	87	85	83	76	1435-4-5,5	50	59	70	77	81	79	77	70
1435-4-7,5	58	67	78	85	89	87	85	78	1435-4-7,5	52	61	72	79	83	81	79	72
1435-4-10	60	69	80	87	91	89	87	80	1435-4-10	54	63	74	81	85	83	81	74
1435-6	46	55	66	73	77	75	73	66	1435-6	41	50	61	68	72	70	68	61
1640-4-5,5	55	64	75	82	86	84	82	75	1640-4-5,5	49	58	69	76	80	78	76	69
1640-4-7,5	58	67	78	85	89	87	85	78	1640-4-7,5	52	61	72	79	83	81	79	72
1640-4-10	60	69	80	87	91	89	87	80	1640-4-10	54	63	74	81	85	83	81	74
1640-6	49	58	69	76	80	78	76	69	1640-6	44	53	64	71	75	73	71	64
1845-4-7,5	61	71	82	89	93	91	89	81	1845-4-7,5	55	65	76	83	87	85	83	75
1845-4-10	64	74	85	92	96	94	92	84	1845-4-10	58	68	79	86	90	88	86	78
1845-6	56	66	77	84	88	86	84	76	1845-6	51	61	72	79	83	81	79	71
2050-4-10	62	72	83	90	94	92	90	82	2050-4-10	56	66	77	84	88	86	84	76
2050-4-15	66	76	87	94	98	96	94	86	2050-4-15	60	70	81	88	92	90	88	80
2050-4-20	68	78	89	96	100	98	96	88	2050-4-20	62	72	83	90	94	92	90	82
2050-6	58	68	79	86	90	88	86	78	2050-6	53	63	74	81	85	83	81	73

Dimensions in mm



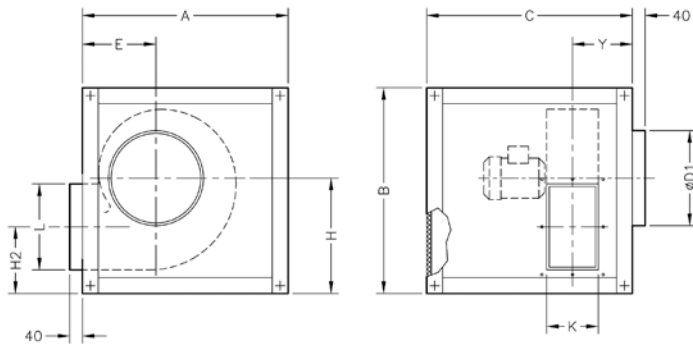
Model	A	B	C1	C2	ØD1*	Ød	Ød1	Ød2	E	H	H1	I	J	J1	K	k1	k2	L	Ø0	ØO1	V	v	X	x1	Y
922	388.5	455	332	73.5	224	278	256	M.8	180	280	134	204	282.5	128	140	-	180	215	9.5	10.5	290	220	114	50	105
1025	427	503	393	86	250	305	282	M.8	197	310	144	229	312.5	145	165	-	205	250	9.5	12.5	315	228	134	74	115.5
1128-4T	472	553	430	93.5	280	348	320	M.8	216	340	152	244	364	170	180	-	220	296.5	9.5	12.5	348	245	144	95	122.5
1128-6T	472	553	400	93.5	280	348	320	M.8	216	340	152	244	364	170	180	-	220	296.5	9.5	12.5	348	245	144	95	122.5
1231-3	526	630	440	103.5	315	382	354	M.8	238	390	179.5	264	382.5	180	200	-	240	320	11.5	13	382	322	183	140	126
1231-4	526	630	440	103.5	315	382	354	M.8	238	390	179.5	264	382.5	180	200	-	240	320	11.5	13	382	322	183	140	126
1231-5.5	526	630	463	103.5	315	382	354	M.8	238	390	179.5	264	382.5	180	200	-	240	320	11.5	13	382	322	183	140	126
1231-6T	526	630	440	103.5	315	382	354	M.8	238	390	179.5	264	382.5	180	200	-	240	320	11.5	13	382	322	183	140	126
1435-4	573.5	715	464	118	355	422	394	M.8	250	445	242.5	292	342.5	159	228	133	-	280	11.5	13	456	420	333	136.5	150
1435-5.5	573.5	715	477	118	355	422	394	M.8	250	445	242.5	292	342.5	159	228	133	-	280	11.5	13	456	420	333	136.5	150
1435-7.5	573.5	715	525	118	355	422	394	M.8	250	445	242.5	292	342.5	159	228	133	-	280	11.5	13	456	420	333	136.5	150
1435-10	573.5	715	525	118	355	422	394	M.8	250	445	242.5	292	342.5	159	228	133	-	280	11.5	13	456	420	333	136.5	150
1435-6T	573.5	715	487	118	355	422	394	M.8	250	445	242.5	292	342.5	159	228	133	-	280	11.5	13	456	420	333	136.5	150
1640-5.5	634	799	499	130	400	464	438	M.8	270	495	271	336	404	185	250	150	-	321	11.5	13	500	460	327	133.5	162.5
1640-7.5	634	799	537	130	400	464	438	M.8	270	495	271	336	404	185	250	150	-	321	11.5	13	500	460	327	133.5	162.5
1640-10	634	799	537	130	400	464	438	M.8	270	495	271	336	404	185	250	150	-	321	11.5	13	500	460	327	133.5	162.5
1640-6T	634	799	499	130	400	464	438	M.8	270	495	271	336	404	185	250	150	-	321	11.5	13	500	460	327	133.5	162.5
1845-4T	711	901	554	147	450	515	485	M.8	302	560	305	370	444	202	284	164	-	361	11.5	13	538	502	340	140	179.5
1845-6T	711	901	516	147	450	515	485	M.8	302	560	305	370	444	202	284	164	-	361	11.5	13	538	502	340	140	179.5
2050-10	797	987	572	162.5	500	565	535	M.10	345	610	313	411	544	250	315	182.5	-	451	11.5	13	635	615	435	188	196
2050-12.5	797	987	624	162.5	500	565	535	M.10	345	610	313	411	544	250	315	182.5	-	451	11.5	13	635	615	435	188	196
2050-15	797	987	677	162.5	500	565	535	M.10	345	610	313	411	544	250	315	182.5	-	451	11.5	13	635	615	435	188	196
2050-20	797	987	677	162.5	500	565	535	M.10	345	610	313	411	544	250	315	182.5	-	451	11.5	13	635	615	435	188	196
2050-6T	797	987	572	162.5	500	565	535	M.10	345	610	313	411	544	250	315	182.5	-	451	11.5	13	635	615	435	188	196



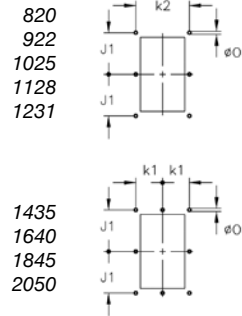
Model	A	B1	B2	C1	C2	ØD1*	Ød	Ød1	Ød2	E	H1	I	J	J1	J2	K	k2	L	Ø0
820-4T	322	377	223	272	68.5	200	247	230	M.6	137.5	137	184	213	94.5	189	130	160	156	9

Dimensions in mm

Standard supply outlet: LG-270



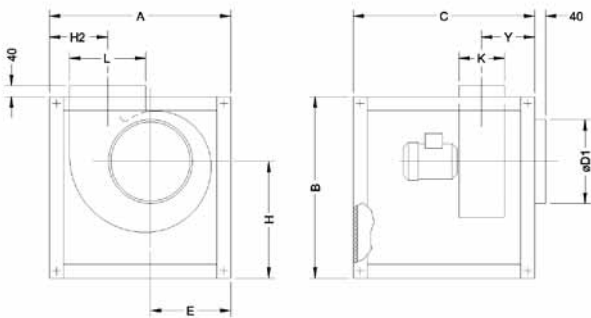
Detail of drills outlet



Model	A	B	C	ØD1	E	H	H2	K	L	Y
CJMP-820	400	450	450	200	142	263	126	130	156	112
CJMP-922	610	610	610	224	187	349	215	140	215	176
CJMP-1025	660	660	660	250	204	379	235	165	250	178.5
CJMP-1128	720	720	720	280	223	409	257	180	295	191
CJMP-1231	800	800	800	315	245	459	279.5	200	320	205
CJMP-1435	880	880	880	355	257	514	271.5	230	280	291
CJMP-1640	970	970	970	400	277	564	293	250	320	324
CJMP-1845	1070	1070	1070	450	309	629	324	284	360	357
CJMP-2050	1160	1160	1160	500	352	679	366	315	450	385.5

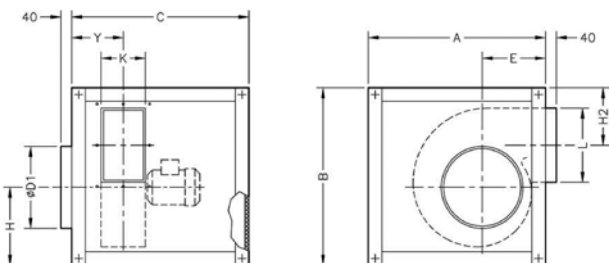
Model	k1	k2	J1	Ø0
CJMP-820	-	160	94.5	9
CJMP-922	-	180	128	9.5
CJMP-1025	-	205	145	9.5
CJMP-1128	-	220	170	9.5
CJMP-1231	-	240	180	11.5
CJMP-1435	133	-	159	11.5
CJMP-1640	150	-	185	11.5
CJMP-1845	164	-	202	11.5
CJMP-2050	182.5	-	250	11.5

Supplied on request: LG-0



Model	A	B	C	ØD1	E	H	H2	K	L	Y
CJMP-922	610	610	610	224	279	349	197	140	215	176
CJMP-1025	660	660	660	250	302	379	214	165	250	178.5
CJMP-1128	720	720	720	280	335	409	233	180	295	191
CJMP-1231	800	800	800	315	366	459	255	200	320	205
CJMP-1435	880	880	880	355	385	514	253	230	280	291
CJMP-1640	970	970	970	400	412	564	287	250	320	324
CJMP-1845	1070	1070	1070	450	446	629	319	284	360	357
CJMP-2050	1160	1160	1160	500	485	679	362	315	450	383.5

Supplied on request: LG-90

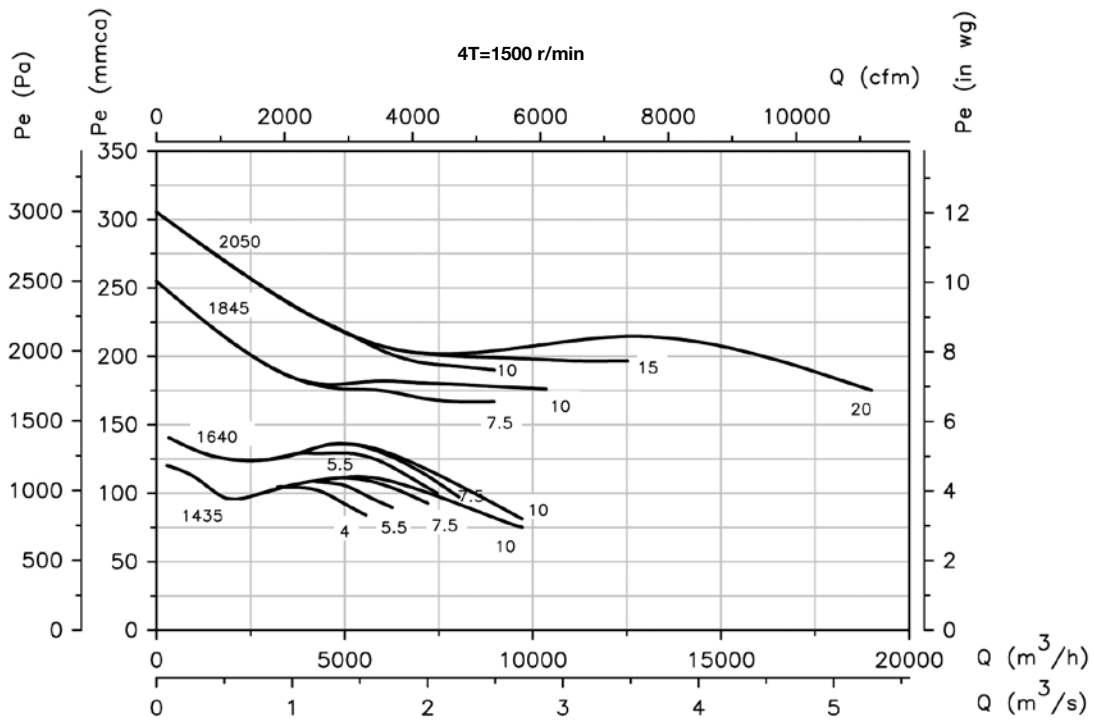
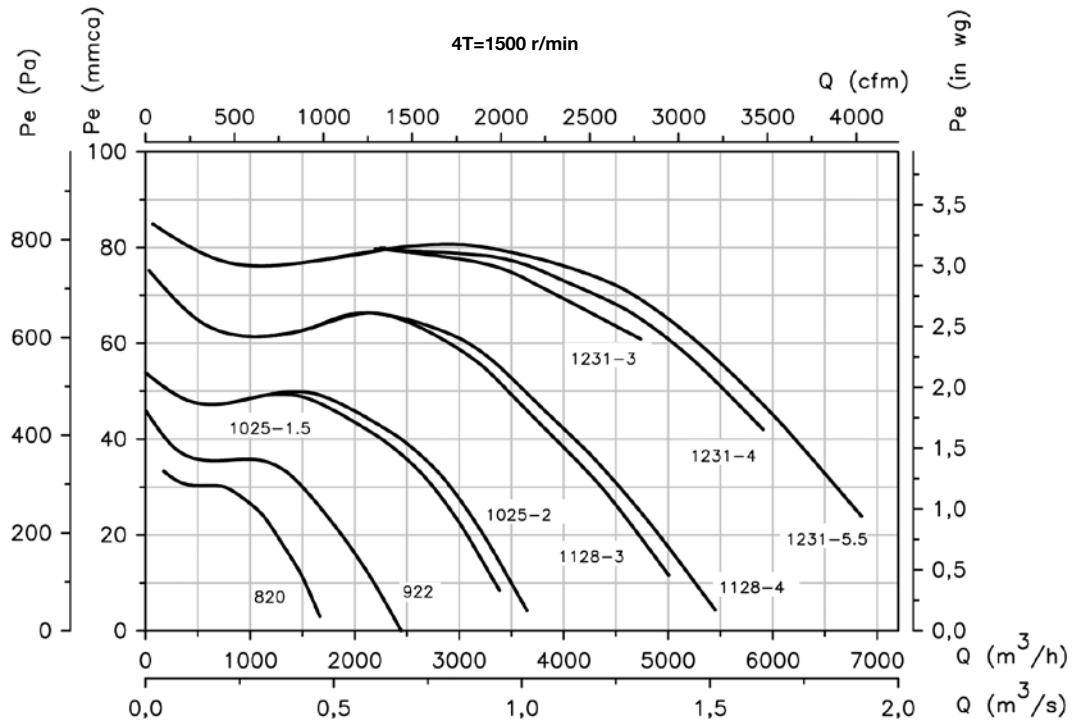


Model	A	B	C	ØD1	E	H	H2	K	L	Y
CJMP-922	720	720	720	224	187	349	237	140	215	176
CJMP-1025	800	800	800	250	204	379	277	165	250	178
CJMP-1128	880	880	880	280	223	409	319	180	295	191
CJMP-1231	970	970	970	315	245	459	332	200	320	205
CJMP-1435	1070	1070	1070	355	257	514	314	230	280	291
CJMP-1640	1160	1160	1160	400	277	564	325	250	320	325
CJMP-1845	865	1260	1050	450	309	629	326	284	360	357
CJMP-2050	965	1400	1200	500	352	679	408	315	450	383.5

Characteristic curves

Q = Airflow in m³/h, m³/s and cfm.

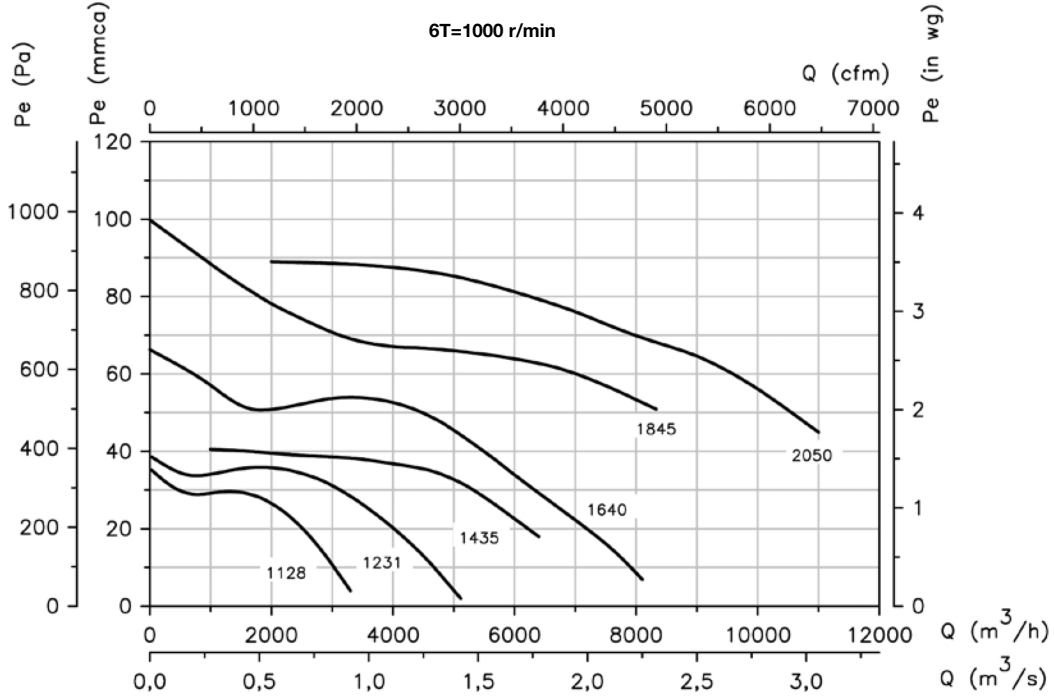
Pe = Static pressure in mm.w.c., Pa and inwg.



Characteristic curves

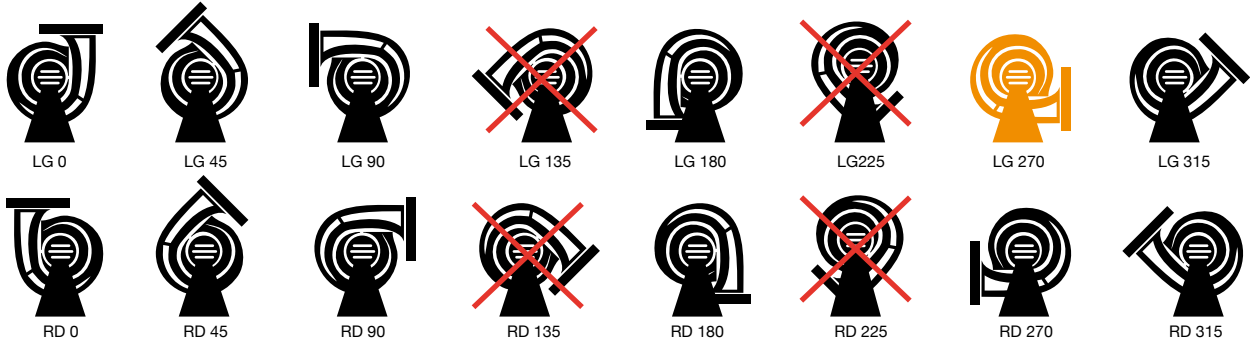
Q = Airflow in m³/h, m³/s and cfm.

Pe = Static pressure in mm.w.c., Pa and inwg.



Positions

LG 270 standard supply
 LG 180 and RD 180 positions on request and with special fixing measures.



Accessories

See accessories section

