

CBD CBD 3V



CBD/B

CBD: Centrifugal double-inlet fans with direct motor and impeller with forward-facing blades

CBD 3V: Centrifugal double-inlet fans with three-speed motor

Fan:

- Galvanized sheet steel casing
- Impeller with forward-facing blades made from galvanised sheet steel
- They are supplied with PSB base stands

Motor:

- Class F closed motors with incorporated thermal protector, ball bearings and IP-54 protection
- Single-phase 220-240V.-50Hz. and three-phase 220-240/380-415V.-50Hz.
- Max. air temperature to transport: -20°C.+60°C.

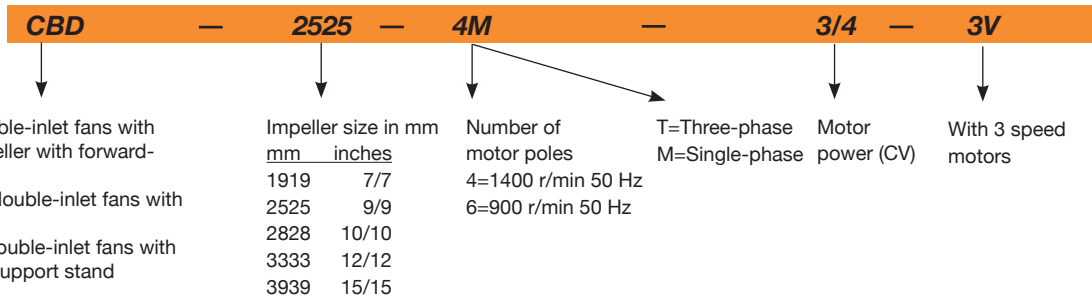


High-quality, robust impeller, dynamically balanced in accordance with ISO-1940

Finish:

- Anticorrosive galvanized sheet steel

Order code



Technical characteristics

Model	Maximum speed (r/min)	Equivalent in inches	Maximum admissible current (A)		Installed power (kW)	Maximum airflow (m³/h)	Sound level dB(A)	Approx. weight (Kg)
			230V	400V				
CBD-1919-4M 1/5	1230	7/7	1.40		0.15	1520	59	7.0
CBD-1919-6M 1/10	820	7/7	0.85		0.08	1230	53	7.0
CBD-2525-4M 1/2	1320	9/9	3.30		0.37	2800	66	13.2
CBD-2525-4M 3/4	1310	9/9	4.50		0.55	3600	70	14.0
CBD-2525-6M 1/5	850	9/9	1.50		0.15	2200	60	11.5
CBD-2525-6M 1/3	830	9/9	2.20		0.25	2700	62	12.7
CBD-2828-4M 1/2	1320	10/10	3.30		0.37	2800	65	15.7
CBD-2828-4M 3/4	1310	10/10	4.50		0.55	3950	70	16.5
CBD-2828-6M 1/3	830	10/10	2.20		0.25	3200	62	15.2
CBD-2828-6M 3/4	840	10/10	4.50		0.55	3600	64	21.0
CBD-3333-6T 1 1/2	850	12/12	6.60	3.80	1.10	7800	75	24.5
CBD-3333-6M 3/4	850	12/12	5.00		0.55	4900	64	23.0
CBD-3333-6M 1	850	12/12	6.00		0.75	6000	71	24.0
CBD-3939-6T 3	890	15/15	10.90	6.30	2.20	11900	75	39.0
CBD-1919-4M 1/5 3V	1230	7/7	1.50		0.15	1520	59	7.0
CBD-2525-4M 1/2 3V	1320	9/9	3.00		0.37	2800	66	13.2
CBD-2525-4M 3/4 3V	1310	9/9	4.00		0.55	3600	70	14.0
CBD-2525-6M 1/3 3V	830	9/9	2.10		0.25	2700	62	12.7
CBD-2828-4M 1/2 3V	1320	10/10	3.00		0.37	2800	65	15.7

Technical characteristics

Model	Speed maximum (r/min)	Equivalent in inches	Maximum admissible current (A)		Installed power (kW)	Maximum airflow (m³/h)	Sound level dB(A)	Approx. weight (Kg)
			230V	400V				
CBD-2828-4M 3/4 3V	1310	10/10	4.00		0.55	3950	70	16.5
CBD-2828-6M 1/3 3V	830	10/10	2.10		0.25	3200	62	15.2
CBD-2828-6M 3/4 3V	840	10/10	4.10		0.55	3600	64	21.0
CBD-3333-6M 3/4 3V	840	12/12	5.00		0.55	4900	64	23.0
CBD-3333-6M 1 3V	850	12/12	6.00		0.75	6000	71	24.0



Erp. BEP (best efficiency point) characteristics

MC	Measurement category	ηe[%]	Efficiency
EC	Efficiency category	N	Efficiency grade
	S Static	[kW]	Input power
	T Total	[m³/h]	Airflow
VSD	Variable-speed drive	[mmH₂O]	Static or total pressure (According to EC)
SR	Specific ratio	[RPM]	Speed

Model	MC	EC	VSD	SR	ηe[%]	N	(kW)	(m³/h)	(mmH₂O)	(RPM)
CBD-1919-4M 1/5	A	S	NO	1.00	27.7%	38.6	0.194	926	21.3	1331
CBD-1919-6M 1/10	-	-	-	-	-	-	0.122	897	11.8	878
CBD-2525-4M 1/2	A	S	NO	1.00	35.4%	43.5	0.529	2000	34.4	1316
CBD-2525-4M 3/4	A	S	NO	1.00	37.0%	44.6	0.637	2265	38.2	1350
CBD-2828-4M 1/2	A	S	NO	1.00	38.4%	46.1	0.599	2279	37.0	1292
CBD-2828-4M 3/4	A	S	NO	1.00	39.4%	46.2	0.871	3138	40.2	1295
CBD-2828-6M 1/3	A	S	NO	1.00	30.8%	39.7	0.387	2251	19.4	856
CBD-2828-6M 3/4	A	S	NO	1.00	30.1%	38.7	0.443	2549	19.2	930
CBD-3333-6T 1 1/2	A	S	NO	1.00	38.0%	44.1	1.116	5035	31.0	897
CBD-3333-6M 3/4	A	S	NO	1.00	33.8%	40.6	0.857	3787	28.1	865
CBD-3333-6M 1	A	S	NO	1.00	32.0%	38.3	1.040	4377	27.9	871
CBD-3939-6T 3	A	S	NO	1.01	44.3%	48.5	2.188	7721	46.1	924
CBD-1919-4M 1/5 3V	A	S	NO	1.00	27.7%	38.6	0.194	950	20.7	1322
CBD-2525-4M 1/2 3V	A	S	NO	1.00	35.0%	43.1	0.523	1928	34.8	1319
CBD-2525-4M 3/4 3V	A	S	NO	1.00	35.3%	42.8	0.664	2251	38.2	1343
CBD-2525-6M 1/3 3V	A	S	NO	1.00	25.0%	34.7	0.295	1814	14.9	890
CBD-2828-4M 1/2 3V	A	S	NO	1.00	38.3%	46.1	0.587	2120	38.9	1329
CBD-2828-4M 3/4 3V	A	S	NO	1.00	39.2%	46.1	0.832	2916	41.1	1304
CBD-2828-6M 1/3 3V	A	S	NO	1.00	30.6%	39.5	0.388	2263	19.3	851
CBD-2828-6M 3/4 3V	A	S	NO	1.00	30.1%	38.7	0.441	2559	19.1	930
CBD-3333-6M 3/4 3V	A	S	NO	1.00	32.9%	39.6	0.872	3683	28.6	863
CBD-3333-6M 1 3V	A	S	NO	1.00	31.0%	37.2	1.064	4297	28.2	868

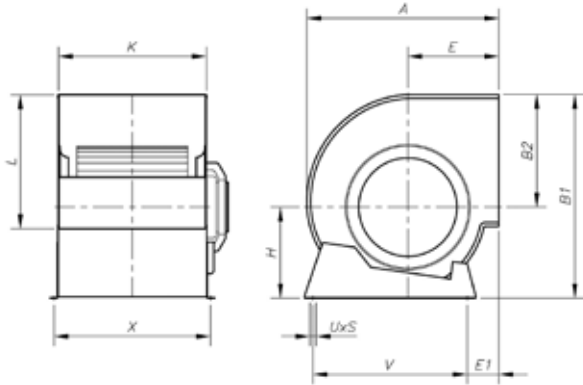
Acoustic features

Sound power Lw(A) spectrum in dB(A) via frequency band in Hz. Maximum speed

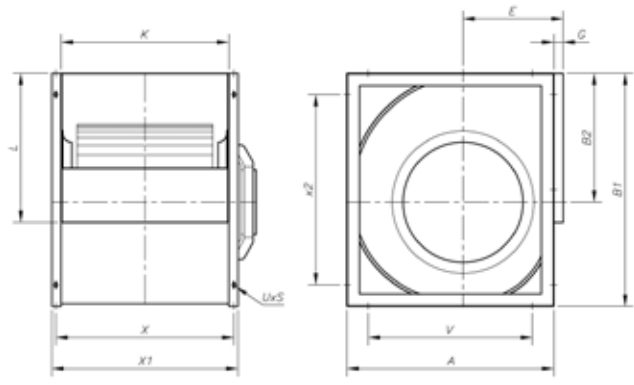
Model	63	125	250	500	1000	2000	4000	8000	Model	63	125	250	500	1000	2000	4000	8000
CBD-1919-4M 1/5	29	44	55	63	65	64	63	55	CBD-1919-4M 1/5 3V	29	44	55	63	65	64	63	55
CBD-1919-6M 1/10	23	38	49	57	59	58	57	49	CBD-2525-4M 1/2 3V	36	51	62	70	72	71	70	62
CBD-2525-4M 1/2	36	51	62	70	72	71	70	62	CBD-2525-4M 3/4 3V	40	55	66	74	76	75	74	66
CBD-2525-4M 3/4	40	55	66	74	76	75	74	66	CBD-2525-6M 1/3 3V	32	47	58	66	68	67	66	58
CBD-2525-6M 1/5	30	45	56	64	66	65	64	56	CBD-2828-4M 1/2 3V	35	50	61	69	71	70	69	61
CBD-2525-6M 1/3	32	47	58	66	68	67	66	58	CBD-2828-4M 3/4 3V	40	55	66	74	76	75	74	66
CBD-2828-4M 1/2	35	50	61	69	71	70	69	61	CBD-2828-6M 1/3 3V	32	47	58	66	68	67	66	58
CBD-2828-4M 3/4	40	55	66	74	76	75	74	66	CBD-2828-6M 3/4 3V	34	48	60	68	70	69	67	60
CBD-2828-6M 1/3	32	47	58	66	68	67	66	58	CBD-3333-6M 3/4 3V	34	49	60	68	70	69	68	60
CBD-2828-6M 3/4	34	48	60	68	70	69	67	60	CBD-3333-6M 1 3V	41	56	67	75	77	76	75	67
CBD-3333-6T 1 1/2	45	60	71	79	81	80	79	71									
CBD-3333-6M 3/4	34	49	60	68	70	69	68	60									
CBD-3333-6M 1	41	56	67	75	77	76	75	67									
CBD-3939-6T 3	48	62	74	81	84	83	81	73									

Dimensions in mm

CBD- 1919...3333

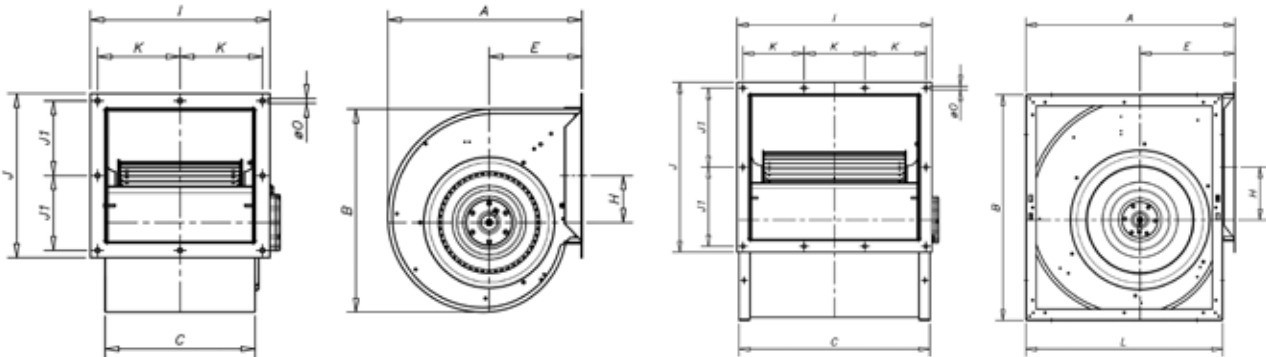


CBD- 3939



Model	Equiv. in inches	A	B1	B2	E	E1	G	H	K	L	UxS	V	X	x1	x2
CBD-1919	7/7	315	333	189	152	64	-	144	230	208	9x13	225	258	-	-
CBD-2525	9/9	380	400	218	183	78	-	182	300	263	9x13	275	328	-	-
CBD-2828	10/10	422	450	246	202	73	-	204	326	292	9x17	315	355	-	-
CBD-3333	12/12	493	526	290	230	82	-	236	387	345	9x17	390	415	-	-
CBD-3939	15/15	553	632	348	265	-	30	-	473	404	9x17	406	500	533	406

CBD-B



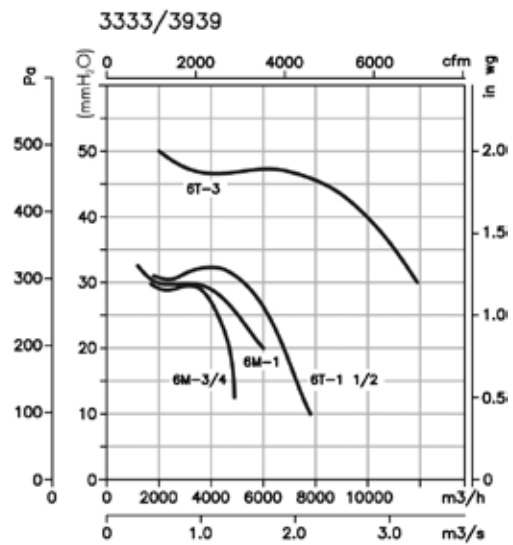
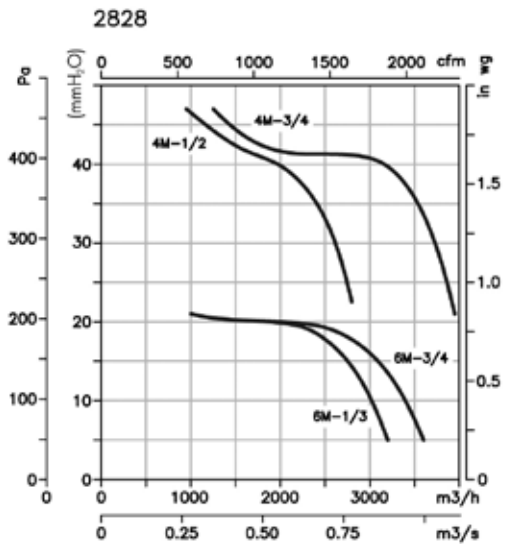
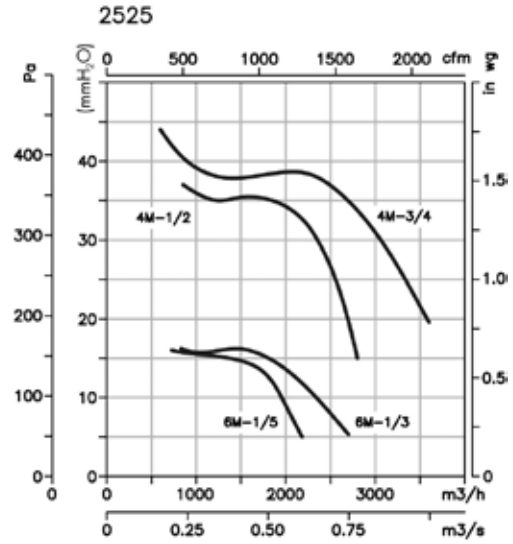
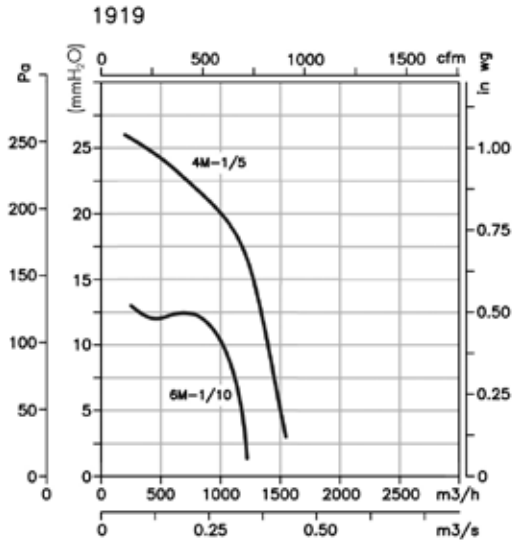
Model	Equiv. Inches	A	B	C	E	H	I	J	J1	K	K1	L	øO
CBD-B-1919	7/7	315	322	230	152	86.5	295	273	120.5	131.5	-	-	10
CBD-B-2525	9/9	380	393	300	183	89	365	328	148	166.5	-	-	10
CBD-B-2828	10/10	422	442	326	202	102	391	357	162.5	179.5	-	-	10
CBD-B-3333	12/12	493	527	387	230	121	452	410	189	210	-	-	10
CBD-B-3939	15/15	583	635	533	265	147	538	469	218.5	169	168	553	10

Characteristic Curves

Q = Airflow in m³/h, m³/s and cfm.

Pe= Static pressure in mm.w.c., Pa and inwg.

CBD

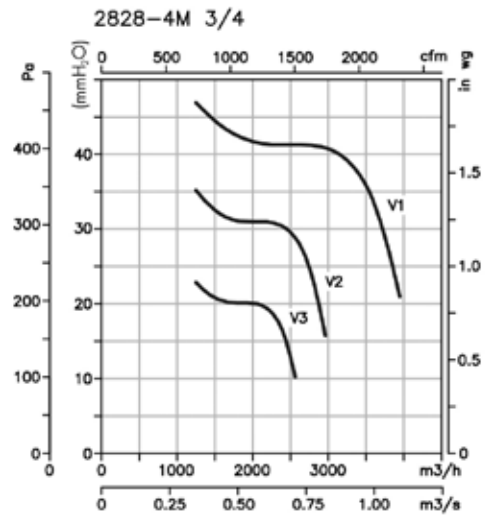
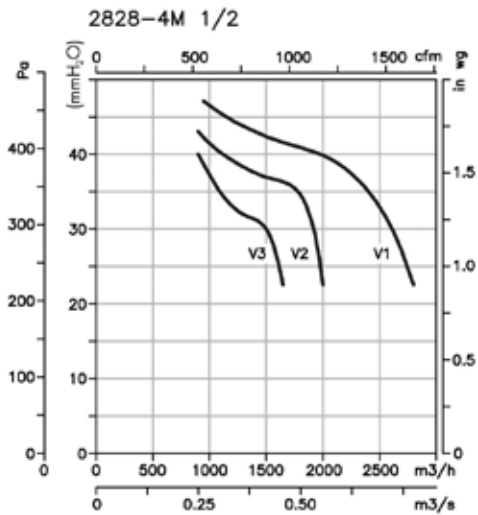
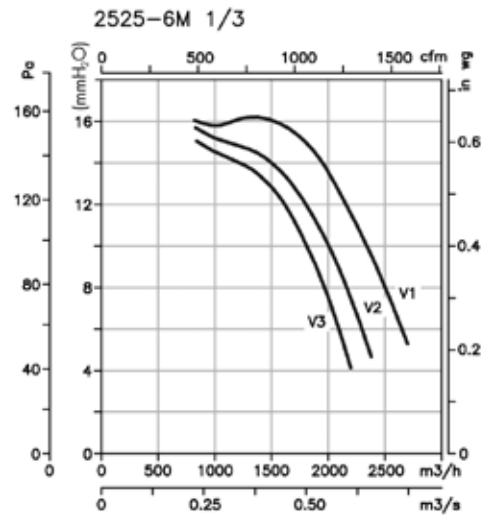
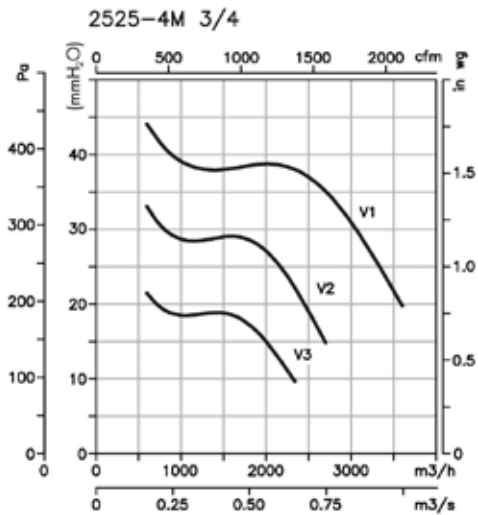
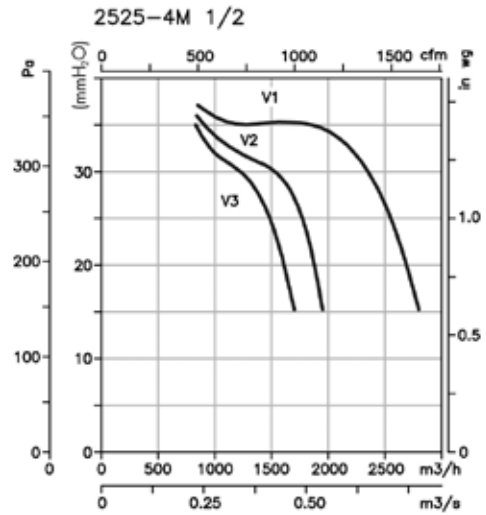
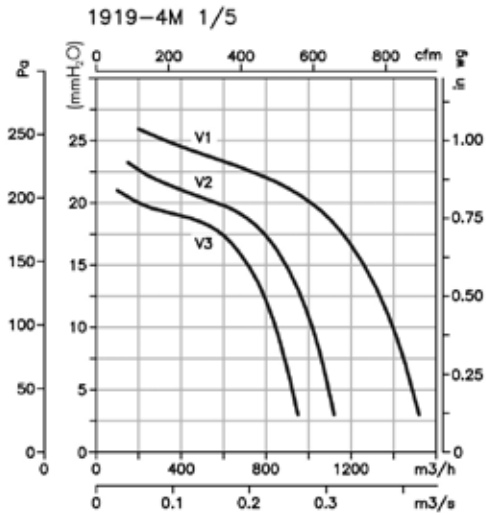


Characteristic Curves

Q = Airflow in m³/h, m³/s and cfm.

Pe = Static pressure in mm.w.c., Pa and inwg.

CBD 3V

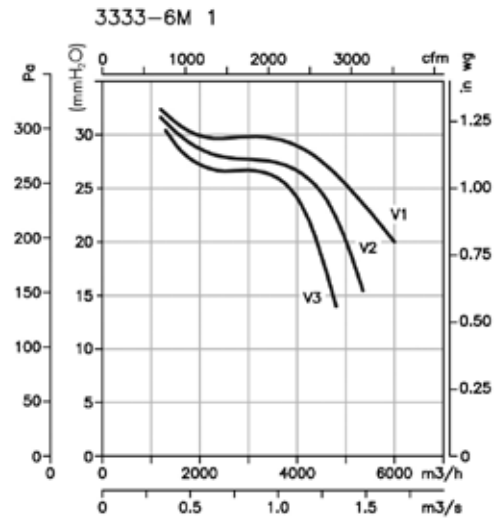
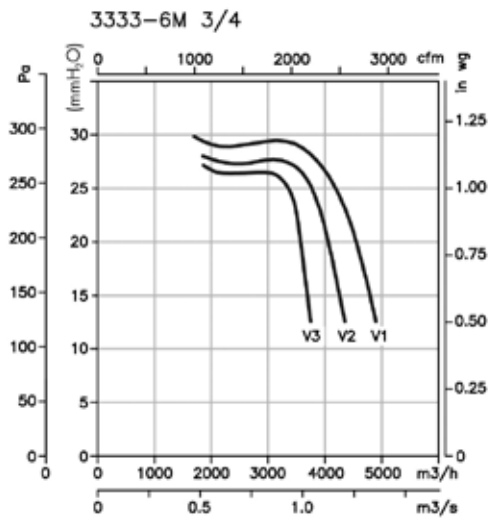
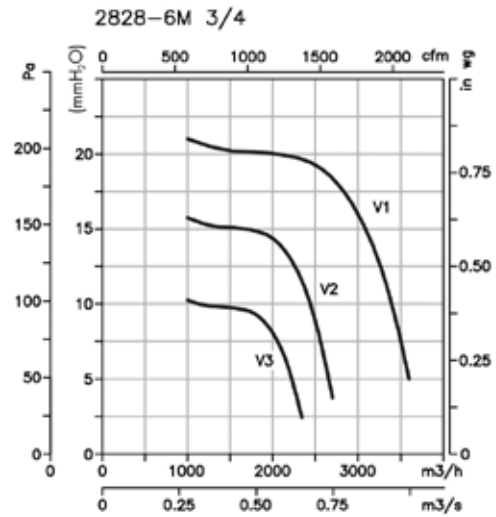
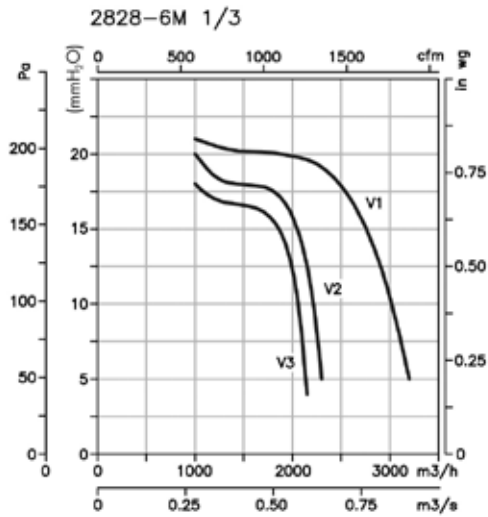


Characteristic Curves

Q = Airflow in m³/h, m³/s and cfm.

Pe= Static pressure in mm.w.c., Pa and inwg.

CBD 3V



Accessories

See accessories section.

