

CMP

Centrifugal single-inlet, medium-pressure fans with casing and sheet steel impeller



Dynamically balanced wheels with robust centres

Fan:

- Steel sheet casing
- Impeller with forward-facing blades made from galvanised sheet steel
- Model CMP 38-2M casing made from cast aluminium

Motor:

- Motors with IE-2 efficiency, except for motors with lower powers than 0.75 kW and single-phase motors.
- Class F motors with ball bearings, IP55 protection, except single-phase models which have IP54 protection. Model CMP-38 IP21 protection
- Single-phase 230V.-50Hz. and three-phase 230/400V.-50Hz. (up to 5.5CV.) and 400/690V.-50Hz. (power over 5.5CV.)
- Max. air temperature to transport: -20°C.+ 120°C., maximum +100°C. model CMP-38

Finish:

- Anticorrosive finish in polyester resin, polymerised at 190°C, after alkaline degreasing and phosphate-free pre-treatment.

On request:

- Special windings for different voltages
- Fan designed to transport air up to 250°C
- Stainless steel fans
- ATEX Certification, category 2 (see CMP/ATEX series)

Order code

CMP — 1128 — 2T — 5,5

CMP: Centrifugal single-inlet, medium-pressure fans with casing and sheet steel impeller

Impeller size

Number of motor poles
 T=Three-phase
 M=Single-phase
 2=2900 r/min 50 Hz
 4=1400 r/min 50 Hz
 6=900 r/min 50 Hz

Motor power (CV)

Technical characteristics

Model	Speed (r/min)	Maximum admissible current (A)			Installed power (kW)	Maximum airflow (m³/h)	Sound pressure level dB(A)	Approx. weight (Kg)
		230V	400V	690V				
CMP-38-2M/E	2650	0.50			0.01	135	50	2.0
CMP-38-2M	2600	0.50			0.01	160	50	2.0
CMP-512-2T	2670	0.64	0.37		0.09	380	62	4.0
CMP-512-2M	2760	0.79			0.09	380	62	4.0
CMP-512-4T	1320	0.55	0.32		0.06	255	55	3.5
CMP-512-4M	1360	0.59			0.06	255	55	3.5
CMP-514-2T	2750	1.21	0.70		0.18	700	65	5.0
CMP-514-2M	2780	1.42			0.18	700	65	5.0
CMP-514-4T	1320	0.65	0.38		0.09	565	58	4.5
CMP-514-4M	1370	0.83			0.09	565	58	4.5
CMP-616-2T	2760	2.57	1.49		0.55	1380	69	8.0
CMP-616-2M	2810	3.49			0.55	1380	69	9.5
CMP-616-4T	1320	0.96	0.56		0.12	850	61	7.5
CMP-616-4M	1380	1.03			0.12	850	61	7.5
CMP-620-2T	2710	1.92	1.11		0.37	765	68	9.5
CMP-620-2M	2780	2.53			0.37	765	68	10.0
CMP-620-4T	1320	0.96	0.56		0.12	810	61	7.5
CMP-620-4M	1380	1.03			0.12	810	61	7.5
CMP-718-2T	2770	2.78	1.60		0.75	1485	70	12.5

Technical characteristics

Model	Speed (r/min)	Maximum admissible current (A)			Installed power (kW)	Maximum airflow (m³/h)	Sound pressure level dB(A)	Approx. weight (Kg)
		230V	400V	690V				
CMP-718-2M	2810	4.50			0.75	1485	70	12.8
CMP-718-4T	1350	1.66	0.96		0.25	1280	63	9.5
CMP-718-4M	1370	2.00			0.25	1280	63	9.5
CMP-820-2T	2860	4.20	2.40		1.10	1950	73	15.0
CMP-820-2M	2820	6.51			1.10	1950	73	16.0
CMP-820-4T	1350	1.66	0.96		0.25	1670	66	10.0
CMP-820-4M	1370	2.00			0.25	1670	66	10.0
CMP-922-2T-1.5	2860	4.20	2.40		1.10	1650	70	20.0
CMP-922-2T-2	2770	5.44	3.13		1.50	2010	71	23.0
CMP-922-2T-3	2885	7.77	4.47		2.20	2600	74	25.5
CMP-922-4T	1380	2.92	1.69		0.55	2450	66	19.0
CMP-1025-2T-3	2885	7.77	4.47		2.20	2100	73	28.5
CMP-1025-2T-4	2900	10.18	5.88		3.00	2830	77	37.6
CMP-1025-4T	1400	4.03	2.32		1.10	3400	70	38.5
CMP-1128-2T-4	2900	10.18	5.88		3.00	2220	77	41.5
CMP-1128-2T-5.5	2870	13.60	7.82		4.00	3210	81	47.0
CMP-1128-4T	1445	8.36	4.83		2.20	5000	74	39.0
CMP-1128-6T	945	3.90	2.20		0.75	3300	60	28.5
CMP-1231-4T-3	1445	8.36	4.83		2.20	4740	73	47.0
CMP-1231-4T-4	1445	10.96	6.33		3.00	5910	75	49.0
CMP-1231-4T-5.5	1440	14.10	8.12		4.00	6850	77	56.0
CMP-1231-6T	955	6.42	3.71		1.50	5115	64	49.0
CMP-1435-4T-4	1445	10.96	6.33		3.00	5395	76	53.0
CMP-1435-4T-5.5	1440	14.10	8.12		4.00	6575	78	61.5
CMP-1435-4T-7.5	1460		10.60	6.10	5.50	7940	80	75.5
CMP-1435-6T	955	9.30	5.30		2.20	6400	66	58.5
CMP-1640-4T-5.5	1440	14.10	8.12		4.00	7000	77	78.5
CMP-1640-4T-7.5	1460		10.60	6.10	5.50	8035	80	92.5
CMP-1640-4T-10	1455		14.20	8.20	7.50	9710	82	103.5
CMP-1640-6T	955	9.30	5.30		2.20	8100	71	75.5
CMP-1845-4T-7.5	1460		10.60	6.10	5.50	8000	82	93.5
CMP-1845-4T-10	1455		14.20	8.20	7.50	10000	85	104.5
CMP-1845-6T	955	9.30	5.30		2.20	7500	77	84.0
CMP-2050-4T-10	1455		14.20	8.20	7.50	9000	83	134.0
CMP-2050-4T-15	1460		20.20	11.60	11.00	12525	87	153.0
CMP-2050-4T-20	1460		27.50	15.90	15.00	16500	89	172.0
CMP-2050-6T	960	16.50	9.46		4.00	11000	79	146.0
CMP-2563-6T	965		31.00	18.00	15.00	21000	86	251.0



Erp. BEP (best efficiency point) characteristics

MC	Measurement category	ηe[%]	Efficiency
EC	Efficiency category	N	Efficiency grade
S	Static	[kW]	Input power
T	Total	[m³/h]	Airflow
VSD	Variable-speed drive	[mmH₂O]	Static or total pressure (According to EC)
SR	Specific ratio	[RPM]	Speed

Model	MC	EC	VSD	SR	ηe[%]	N	(kW)	(m³/h)	(mmH ₂ O)	(RPM)
CMP-38-2M/E	-	-	-	-	-	-	0.057	77	12.05	2600
CMP-38-2M	-	-	-	-	-	-	0.058	101	11.15	2537
CMP-512-4T	-	-	-	-	-	-	0.058	156	8.03	1401
CMP-512-4M	-	-	-	-	-	-	0.076	155	8.08	1397
CMP-514-2T	A	S	NO	1.01	34.1%	45.1	0.185	399	57.91	2833
CMP-514-2M	A	S	NO	1.01	29.0%	39.4	0.226	428	56.34	2834
CMP-514-4T	-	-	-	-	-	-	0.085	326	11.33	1405
CMP-514-4M	-	-	-	-	-	-	0.072	328	11.28	1441
CMP-616-2T	A	S	NO	1.01	36.8%	46.0	0.344	639	72.61	2893
CMP-616-2M	A	S	NO	1.01	30.3%	38.7	0.478	825	64.57	2884
CMP-616-4T	-	-	-	-	-	-	0.096	485	15.35	1410
CMP-616-4M	-	-	-	-	-	-	0.101	490	15.26	1433
CMP-620-2T	A	S	NO	1.01	38.0%	46.1	0.525	699	104.72	2732
CMP-620-2M	A	S	NO	1.01	36.2%	44.0	0.578	765	100.23	2770



Erp. BEP (best efficiency point) characteristics

MC	Measurement category	ηe[%]	Efficiency
EC	Efficiency category	N	Efficiency grade
S	Static	[kW]	Input power
T	Total	[m³/h]	Airflow
VSD	Variable-speed drive	[mmH₂O]	Static or total pressure (According to EC)
SR	Specific ratio	[RPM]	Speed

Model	MC	EC	VSD	SR	ηe[%]	N	(kW)	(m³/h)	(mmH ₂ O)	(RPM)
CMP-620-4T	-	-	-	-	-	-	0.115	369	24.13	1393
CMP-620-4M	-	-	-	-	-	-	0.123	407	22.75	1419
CMP-718-2T	A	S	NO	1.01	38.4%	46.1	0.601	909	93.17	2856
CMP-718-2M	A	S	NO	1.01	33.5%	40.7	0.742	1006	90.76	2861
CMP-718-4T	-	-	-	-	-	-	0.124	622	23.27	1455
CMP-718-4M	A	S	NO	1.00	27.2%	38.5	0.160	722	22.08	1452
CMP-820-2T	A	S	NO	1.01	47.0%	54.4	0.674	935	124.36	2932
CMP-820-2M	A	S	NO	1.01	39.9%	46.2	1.028	1317	114.37	2874
CMP-820-4T	A	S	NO	1.00	35.2%	46.5	0.165	721	29.53	1441
CMP-820-4M	A	S	NO	1.00	30.0%	40.6	0.217	841	28.40	1435
CMP-922-2T-1.5	A	S	NO	1.01	45.9%	51.5	1.352	1652	138.04	2863
CMP-922-2T-2	A	S	NO	1.02	43.1%	48.2	1.585	1736	144.34	2803
CMP-922-2T-3	A	S	NO	1.02	41.6%	46.3	1.828	1915	145.68	2920
CMP-922-4T	A	S	NO	1.00	36.4%	46.0	0.307	1187	34.59	1437
CMP-1025-2T-3	A	S	NO	1.02	42.2%	46.3	2.302	1923	185.64	2899
CMP-1025-2T-4	A	S	NO	1.02	43.2%	46.3	3.251	2717	189.89	2908
CMP-1025-4T	A	S	NO	1.01	38.9%	47.1	0.506	1501	48.06	1462
CMP-1128-2T-4	A	S	NO	1.02	43.0%	46.3	2.990	2216	212.96	2916
CMP-1128-2T-5.5	A	S	NO	1.02	44.1%	46.4	4.359	3095	227.92	2878
CMP-1128-4T	A	S	NO	1.01	40.5%	46.8	1.002	2303	64.68	1479
CMP-1128-6T	A	S	NO	1.00	36.8%	46.0	0.348	1622	28.94	981
CMP-1231-4T-3	A	S	NO	1.01	41.7%	46.9	1.482	2927	77.43	1469
CMP-1231-4T-4	A	S	NO	1.01	41.2%	46.2	1.613	3143	77.62	1475
CMP-1231-4T-5.5	A	S	NO	1.01	41.3%	46.2	1.653	3120	80.29	1478
CMP-1231-6T	A	S	NO	1.00	38.3%	46.1	0.579	2332	34.85	986
CMP-1435-4T-4	A	S	NO	1.01	42.4%	46.3	2.428	3916	96.46	1462
CMP-1435-4T-5.5	A	S	NO	1.01	42.4%	46.3	2.425	3865	97.59	1468
CMP-1435-4T-7.5	A	S	NO	1.01	42.5%	46.3	2.492	3904	99.52	1476
CMP-1435-6T	A	S	NO	1.01	39.6%	46.2	0.906	3441	38.22	985
CMP-1640-4T-5.5	A	S	NO	1.01	55.4%	58.7	3.000	4685	130.10	1461
CMP-1640-4T-7.5	A	S	NO	1.01	48.0%	50.6	3.899	5080	135.33	1463
CMP-1640-4T-10	A	S	NO	1.02	43.1%	45.2	4.596	5382	135.00	1476
CMP-1640-6T	A	S	NO	1.01	43.9%	49.5	1.300	3946	53.00	978
CMP-1845-4T-7.5	A	S	NO	1.02	57.0%	58.3	6.385	7900	169.13	1439
CMP-1845-4T-10	A	S	NO	1.02	56.7%	57.6	7.387	8599	178.87	1461
CMP-1845-6T	A	S	NO	1.01	47.0%	51.3	2.070	5546	64.33	965
CMP-2050-4T-10	A	S	NO	1.02	54.9%	55.4	8.393	8977	188.36	1455
CMP-2050-4T-15	A	S	NO	1.02	55.7%	56.0	9.285	9695	195.91	1470
CMP-2050-4T-20	B	T	NO	1.03	69.8%	69.5	16.819	16500	261.08	1459
CMP-2050-6T	A	S	NO	1.01	36.5%	39.0	3.988	6929	77.00	966
CMP-2563-6T	B	T	NO	1.02	59.3%	59.0	16.629	21000	172.41	967

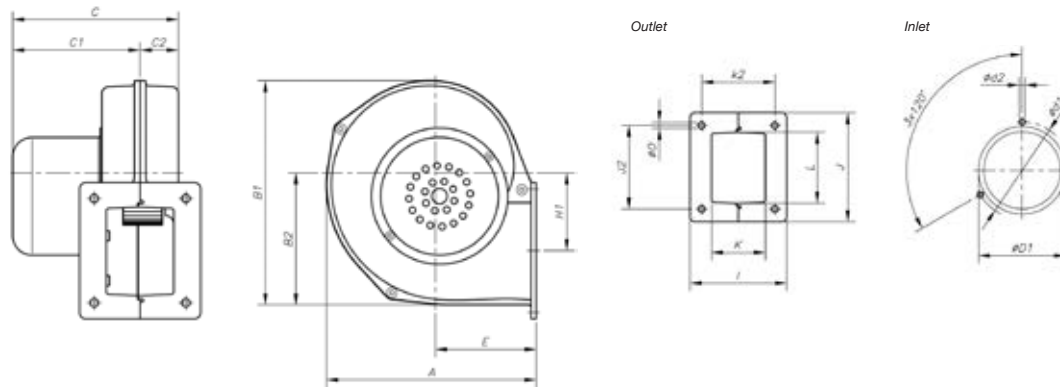
Acoustic features

Sound power Lw(A) spectrum in dB(A) via frequency band in Hz.

Model	63	125	250	500	1000	2000	4000	8000	Model	63	125	250	500	1000	2000	4000	8000
38	25	35	46	53	57	54	52	45	1128-6	35	45	56	63	67	64	62	55
512-2	37	47	58	65	69	66	64	57	1231-4-3	51	60	71	78	82	80	78	71
512-4	30	40	51	58	62	59	57	50	1231-4-4	53	62	73	80	84	82	80	73
514-2	40	50	61	68	72	69	67	60	1231-4-5.5	55	64	75	82	86	84	82	75
514-4	33	43	54	61	65	62	60	53	1231-6	42	51	62	69	73	71	69	62
616-2	44	54	65	72	76	73	71	64	1435-4-4	54	63	74	81	85	83	81	74
616-4	36	46	57	64	68	65	63	56	1435-4-5.5	56	65	76	83	87	85	83	76
620-2	43	53	64	71	75	72	70	63	1435-4-7.5	58	67	78	85	89	87	85	78
620-4	36	46	57	64	68	65	63	56	1435-6	44	53	64	71	75	73	71	64
718-2	45	55	66	73	77	74	72	65	1640-4-5.5	55	64	75	82	86	84	82	75
718-4	38	48	59	66	70	67	65	58	1640-4-7.5	58	67	78	85	89	87	85	78
820-2	48	58	69	76	80	77	75	68	1640-4-10	60	69	80	87	91	89	87	80
820-4	41	51	62	69	73	70	68	61	1640-6	49	58	69	76	80	78	76	69
922-2-1.5	45	55	66	73	77	74	72	65	1845-4-7.5	61	71	82	89	93	91	89	81
922-2-2	46	56	67	74	78	75	73	66	1845-4-10	64	74	85	92	96	94	92	84
922-2-3	49	59	70	77	81	78	76	69	1845-6	56	66	77	84	88	86	84	76
922-4	41	51	62	69	73	70	68	61	2050-4-10	62	72	83	90	94	92	90	82
1025-2-3	48	58	69	76	80	77	75	68	2050-4-15	66	76	87	94	98	96	94	86
1025-2-4	52	62	73	80	84	81	79	72	2050-4-20	68	78	89	96	100	98	96	88
1025-4	45	55	66	73	77	74	72	65	2050-6	58	68	79	86	90	88	86	78
1128-2-4	52	62	73	80	84	81	79	72	2563-6	67	77	88	95	99	96	94	87
1128-2-5.5	56	66	77	84	88	85	83	76									
1128-4	49	59	70	77	81	78	76	69									

Dimensions in mm

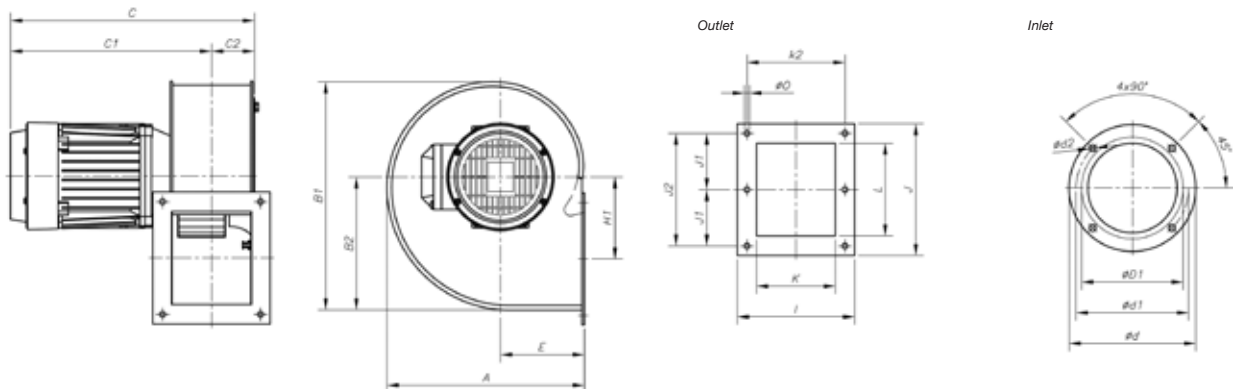
CMP-38



Model	A	B1	B2	C	C1	C2	øD1*	ød1	ød2	E	H1	I	J	J2	K	k2	L	ø0
CMP-38-2M/E	141	165	97	122	96	26	80	85	2.4	60	60.5	100	80	46	50	77	52	8
CMP-38-2M	164.5	176.5	103.5	130	99	31	80	85	M4	79	64	95	107	82	53	72	67	6.5

* Recommended nominal diameter for duct.

CMP-512...820

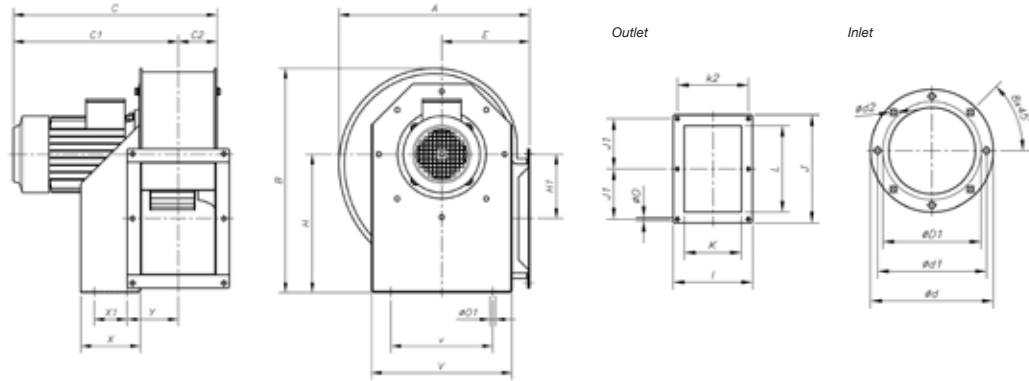


Model	A	B1	B2	C	C1	C2	øD1*	ød	ød1	ød2	E	H1	I	J	J1	J2	K	k2	L	ø0
CMP-512-2T	185	206.5	118	251	212	39	112	140	132	M4	82.5	69	104	117	-	104.5	75	92	86	5.5
CMP-512-4T	185	206.5	118	249	210	39	112	140	132	M4	82.5	69	104	117	-	104.5	75	92	86	5.5
CMP-514-2T	225	254	150	281	236	45	140	169	151.5	M4	100	91	122	147	64	128	83	105	107	6.5
CMP-514-4T	225	254	150	261	216	45	140	169	151.5	M4	100	91	122	147	64	128	83	105	107	6.5
CMP-616-2T	258	297	173.5	320	264	56	160	204	180	M6	110	105.5	153	172	-	147	103	128	125	7
CMP-616-4T	258	297	173.5	283	227	56	160	204	180	M6	110	105.5	153	172	-	147	103	128	125	7
CMP-620-2T	298	347	202.5	321	265	56	200	247	230	M6	126	145.5	159	153	-	128	105	134	100	8
CMP-620-4T	298	347	202.5	283	227	56	200	247	230	M6	126	145.5	159	153	-	128	105	134	100	8
CMP-718-2T	303.5	348	201	355	294	61	180	238	210	M6	129.5	122	169	192	85	170	115	145	146	9
CMP-718-2M	303.5	348	201	355	245	61	180	238	210	M6	129.5	122	169	192	85	170	115	145	146	9
CMP-718-4T	303.5	348	201	331	270	61	180	238	210	M6	129.5	122	169	192	85	170	115	145	146	9
CMP-718-4M	303.5	348	201	331	270	61	180	238	210	M6	129.5	122	169	192	85	170	115	145	146	9
CMP-820-2T	322	377	223	369.5	301	68.5	200	247	230	M6	137.5	137	184	213	94.5	189	160	160	156	9
CMP-820-2M	322	377	223	369.5	301	68.5	200	247	230	M6	137.5	137	184	213	94.5	189	160	160	156	9
CMP-820-4T	322	377	223	345.5	277	68.5	200	247	230	M6	137.5	137	184	213	94.5	189	160	160	156	9
CMP-820-4M	322	377	223	345.5	277	68.5	200	247	230	M6	137.5	137	184	213	94.5	189	160	160	156	9

* Recommended nominal diameter for duct.

Dimensions in mm

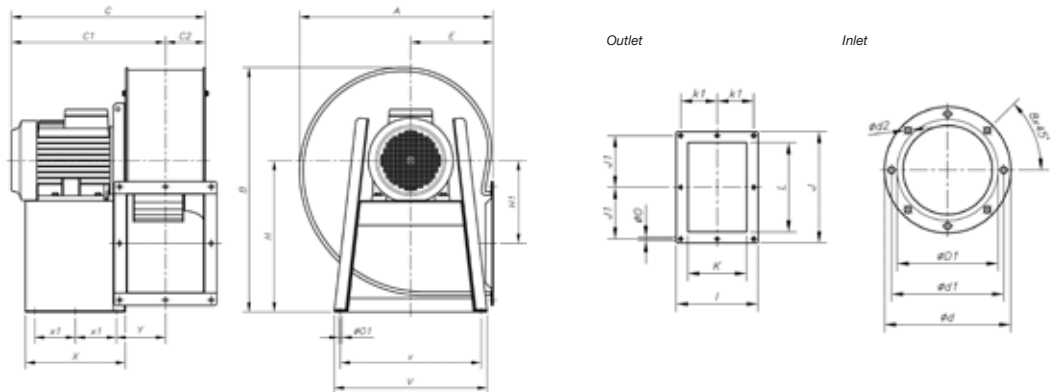
CMP-922...1231



Model	A	B	C	C1	C2	øD1*	ød	ød1	ød2	E	H	H1	I	J	J1	K	k2	L	ø0	ø01	V	v	X	X1	Y
CMP-922-2T-1'5	388.5	455	382.5	309	73.5	224	278	256	M8	180	280	134	204	282.5	128	140	180	215	9.5	10.5	290	220	114	50	105
CMP-922-2T-2	388.5	455	430.5	357	73.5	224	278	25	M8	180	280	134	204	282.5	128	140	180	215	9.5	10.5	290	220	114	50	105
CMP-922-2T-3	388.5	455	430.5	357	73.5	224	278	256	M8	180	280	134	204	282.5	128	140	180	215	9.5	10.5	290	220	114	50	105
CMP-922-4T	388.5	455	382.5	309	73.5	224	278	256	M8	180	280	134	204	282.5	128	140	180	215	9.5	10.5	290	220	114	50	105
CMP-1025-2T-3	427	503	456	370	86	250	305	282	M8	197	310	144	229	312.5	145	165	205	250	9.5	12.5	315	228	134	74	115.5
CMP-1025-2T-4	427	503	486	400	86	250	305	282	M8	197	310	144	229	312.5	145	165	205	250	9.5	12.5	315	228	134	74	115.5
CMP-1025-4T	427	503	456	370	86	250	305	282	M8	197	310	144	229	312.5	145	165	205	250	9.5	12.5	315	228	134	74	115.5
CMP-1128-2T-4	472	553	500.5	407	93.5	280	348	320	M8	216	340	152	244	364	170	180	220	296.5	9.5	12.5	348	245	144	95	122.5
CMP-1128-2T-5'5	472	553	523.5	430	93.5	280	348	320	M8	216	340	152	244	364	170	180	220	296.5	9.5	12.5	348	245	144	95	122.5
CMP-1128-4T	472	553	500.5	407	93.5	280	348	320	M8	216	340	152	244	364	170	180	220	296.5	9.5	12.5	348	245	144	95	122.5
CMP-1128-6T	472	553	470.5	377	93.5	280	348	320	M8	216	340	152	244	364	170	180	220	296.5	9.5	12.5	348	245	144	95	122.5
CMP-1231-4T-3	526	630	520.5	417	103.5	315	382	354	M8	238	390	179.5	264	382.5	180	200	240	320	11.5	13	382	322	183	140	126
CMP-1231-4T-4	526	630	520.5	417	103.5	315	382	354	M8	238	390	179.5	264	382.5	180	200	240	320	11.5	13	382	322	183	140	126
CMP-1231-4T-5'5	526	630	543.5	440	103.5	315	382	354	M8	238	390	179.5	264	382.5	180	200	240	320	11.5	13	382	322	183	140	126
CMP-1231-6T	526	630	520.5	417	103.5	315	382	354	M8	238	390	179.5	264	382.5	180	200	240	320	11.5	13	382	322	183	140	126

* Recommended nominal diameter for duct.

CMP-1435...2563



Model	A	B	C	C1	C2	øD1*	ød	ød1	ød2	E	H	H1	I	J	J1	K	k1	L	ø0	ø01	V	v	X	X1	Y
CMP-1435-4T-4	573.5	715	549	431	118	355	422	394	M8	250	445	242.5	292	342.5	159	228	133	280	11.5	12	456	420	333	136.5	150
CMP-1435-4T-5'5	573.5	715	572	454	118	355	422	394	M8	250	445	242.5	292	342.5	159	228	133	280	11.5	12	456	420	333	136.5	150
CMP-1435-4T-7'5	573.5	715	610	492	118	355	422	394	M8	250	445	242.5	292	342.5	159	228	133	280	11.5	12	456	420	333	136.5	150
CMP-1435-6T	573.5	715	572	454	118	355	422	394	M8	250	445	242.5	292	342.5	159	228	133	280	11.5	12	456	420	333	136.5	150
CMP-1640-4T-5'5	634	799	596	465	130	400	464	438	M8	270	495	271	336	404	185	250	150	321	11.5	12	500	460	327	133.5	162.5
CMP-1640-4T-7'5	634	799	634	504	130	400	464	438	M8	270	495	271	336	404	185	250	150	321	11.5	12	500	460	327	133.5	162.5
CMP-1640-4T-10	634	799	634	504	130	400	464	438	M8	270	495	271	336	404	185	250	150	321	11.5	12	500	460	327	133.5	162.5
CMP-1640-6T	634	799	596	466	130	400	464	438	M8	270	495	271	336	404	185	250	150	321	11.5	12	500	460	327	133.5	162.5
CMP-1845-4T-7'5	711	901	668	521	147	450	515	485	M8	302	560	305	370	444	202	284	164	361	11.5	12	538	502	340	140	179.5
CMP-1845-4T-10	711	901	668	521	147	450	515	485	M8	302	560	305	370	444	202	284	164	361	11.5	12	538	502	340	140	179.5
CMP-1845-6T	711	901	630	483	147	450	515	485	M8	302	560	305	370	444	202	284	164	361	11.5	12	538	502	340	140	179.5
CMP-2050-4T-10	797	987	700.5	538	162.5	500	565	535	M10	345	610	313	411	544	250	315	182.5	451	11.5	12	653	615	435	188	196
CMP-2050-4T-15	797	987	805.5	643	162.5	500	565	535	M10	345	610	313	411	544	250	315	182.5	451	11.5	12	653	615	435	188	196
CMP-2050-4T-20	797	987	805.5	643	162.5	500	565	535	M10	345	610	313	411	544	250	315	182.5	451	11.5	12	653	615	435	188	196
CMP-2050-6T	797	987	700.5	538	162.5	500	565	535	M10	345	610	313	411	544	250	315	182.5	451	11.5	12	653	615	435	188	196
CMP-2563-6T	1027	1213	1016	805	211	630	710	675	M10	460	742	378	512	706	330	410	230	600	17	14	590	540	450	200	239

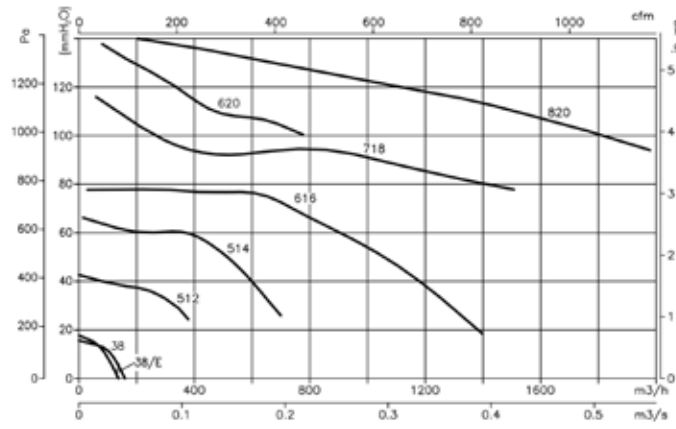
* Recommended nominal diameter for duct.

Characteristic curves

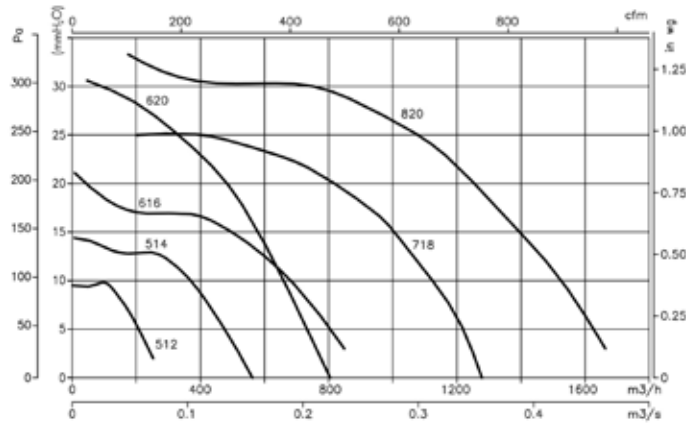
Q = Airflow in m³/h, m³/s and cfm.

Pe= Static pressure in mm.w.c., Pa and inwg.

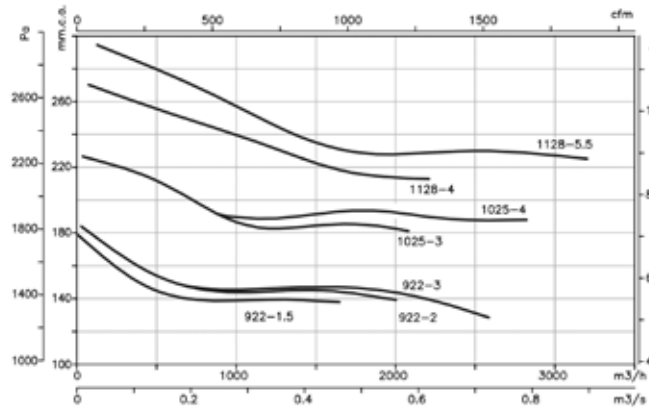
2T/2M=3000 r/min



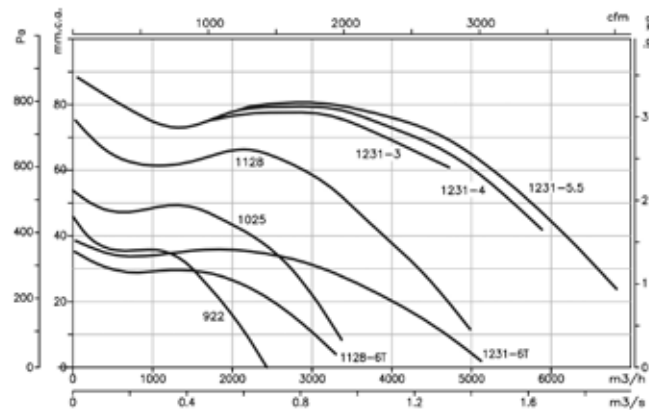
4T/4M=1500 r/min



2T=3000 r/min



**4T=1500 r/min
6T=1000 r/min**

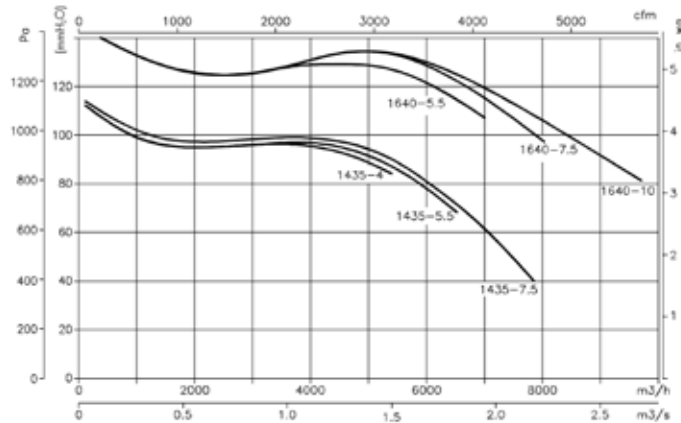


Characteristic curves

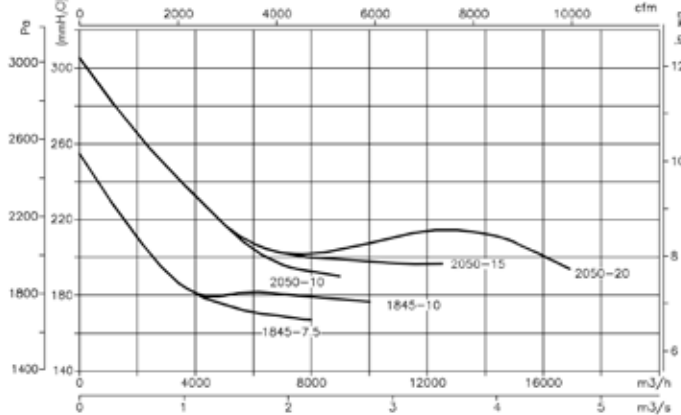
Q = Airflow in m³/h, m³/s and cfm.

Pe= Static pressure in mm.w.c., Pa and inwg.

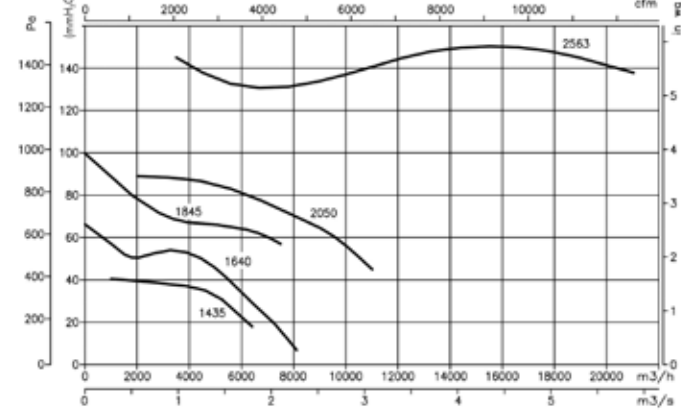
4T=1500 r/min



4T=1500 r/min



6T=1000 r/min



Positions

LG 270 standard supply

LG 180 and RD 180 positions on request and with special fixing measures.



Accessories

See accessories section.

